

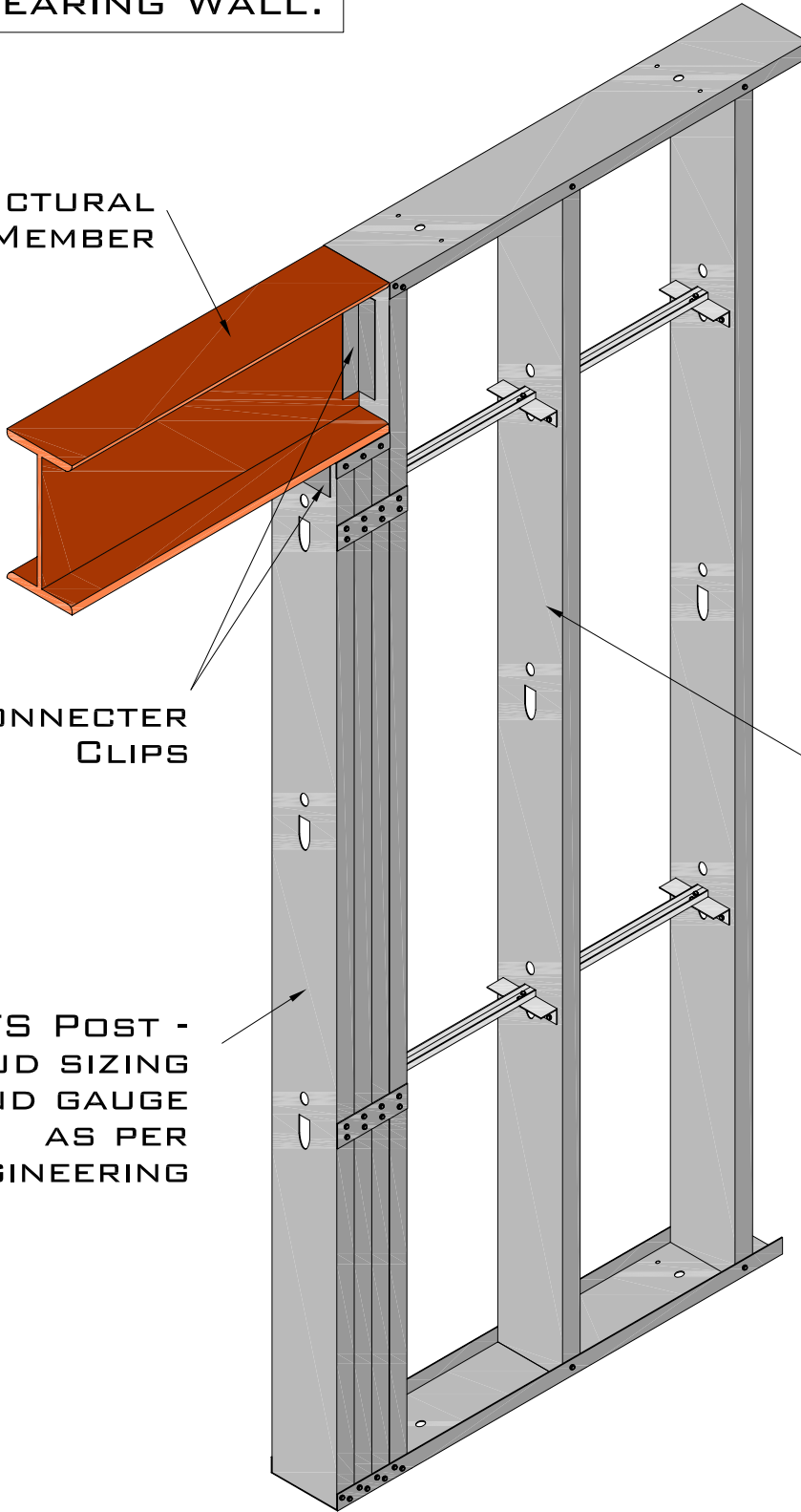
**COLD-FORMED STEEL
STUD FRAMING -
BEAM POCKET IN
LOAD-BEARING WALL.**

STRUCTURAL
STEEL MEMBER

CONNECTER
CLIPS

CFS POST -
STUD SIZING
AND GAUGE
AS PER
ENGINEERING

WALL STUDS -
SIZE AND
GAUGE AS PER
ENGINEERING



P: 1-877-251-6875
F: 1-866-873-0360
INFO@TRUSSES.CA



CFS STUD
FRAMING
BEAM POCKET