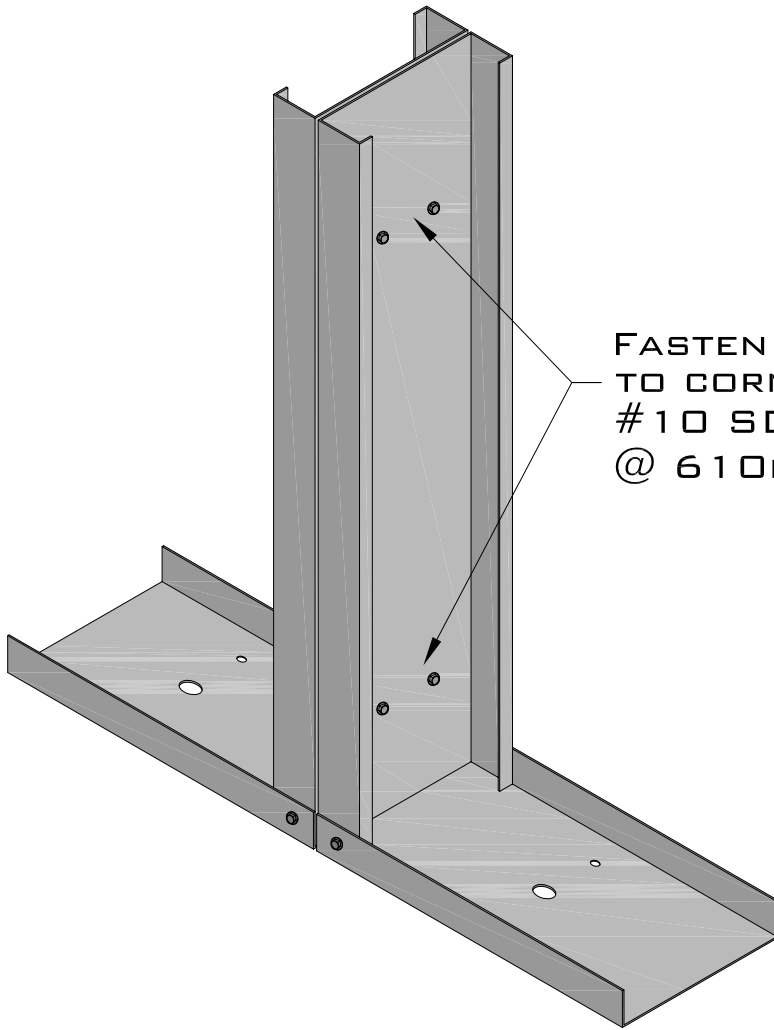


WHERE ACCESS TO CORNER IS LIMITED : CONNECT WALLS WITH FLAT STRAP VERTICALLY SPACED AND FASTENED WITH #10 SD/ST SCREWS

COLD-FORMED STEEL STUD FRAMING-IN LINE PANEL TO PANEL CONNECTION



FASTEN END STUD OF WALL TO CORNER JUNCTION WITH #10 SD/ST SCREWS @ 610MM (24" O/C

P: 1-877-251-6875  
F: 1-866-873-0360  
INFO@TRUSSES.CA



CFS STUD  
FRAMING  
IN LINE PANEL  
TO PANEL  
CONNECTION