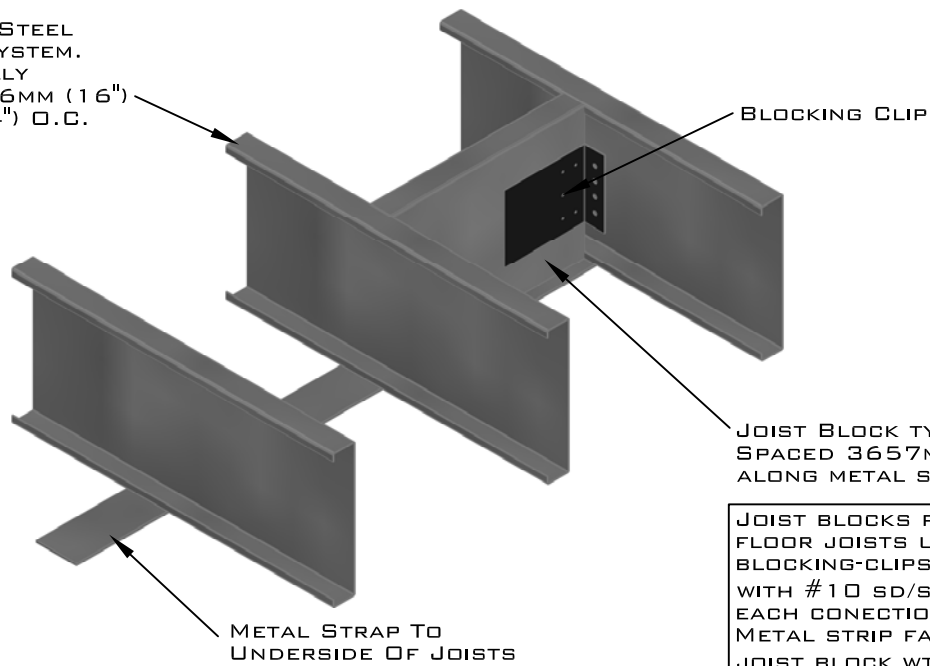


JOIST BLOCKING FASTENED TO FLOOR JOIST USING BRIDGING CLIPS. BRIDGING CLIPS FASTENED WITH #10 SD/ST SCREWS AT EACH CONNECTION LOCATION.

COLD-FORMED STEEL FLOOR JOIST SYSTEM. JOISTS TYPICALLY SPACED AT 406MM (16") OR 610MM (24") O.C.



JOIST BLOCKS FASTENED TO FLOOR JOISTS USING BLOCKING-CLIPS FASTENED WITH #10 SD/ST SCREWS AT EACH CONNECTION LOCATION. METAL STRIP FASTENED TO JOIST BLOCK WITH #10 SD/ST SCREWS.

P: 1-877-251-6875  
 F: 1-866-873-0360  
 INFO@TRUSSES.CA



CFS JOIST  
 BLOCKING  
 CONNECTION  
 DETAILS