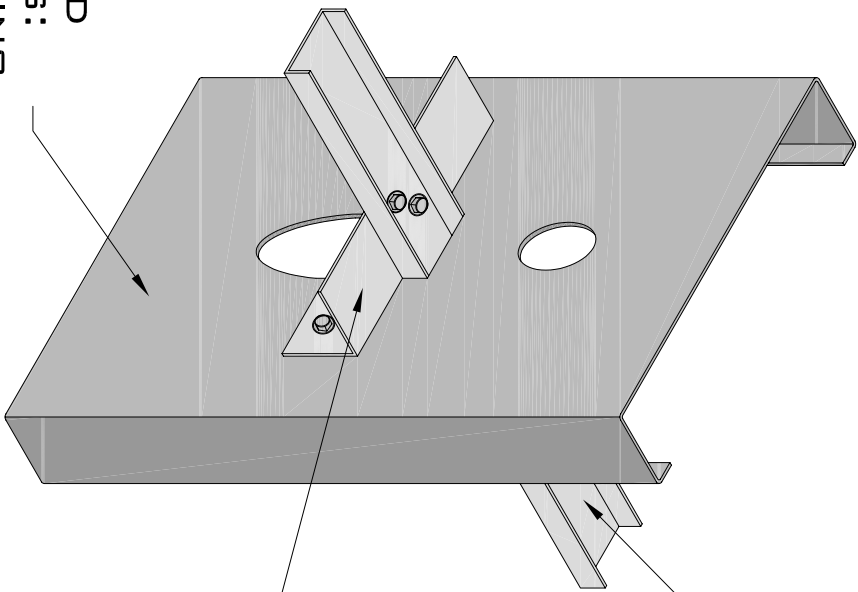


**GOLD-FORMED
STEEL STUD FRAMING -
STANDARD BRIDGING
DETAIL**



**GOLD-FORMED
STEEL STUDS:
SIZE AND SPACING
AS PER STRUCTURAL
DRAWINGS**

**BRIDGING CHANNEL
AT MAX. VERTICAL
SPACING OF 1219MM
(48") C/C.**

**BRIDGING CLIP
FASTENED WITH
(2) #10 SD/ST
SCREWS IN EACH
CONNECTION.**

**P: 1-877-251-6875
F: 1-866-873-0360
INFO@TRUSSES.CA**



**CFS STUD
FRAMING
BRIDGING
DETAIL**