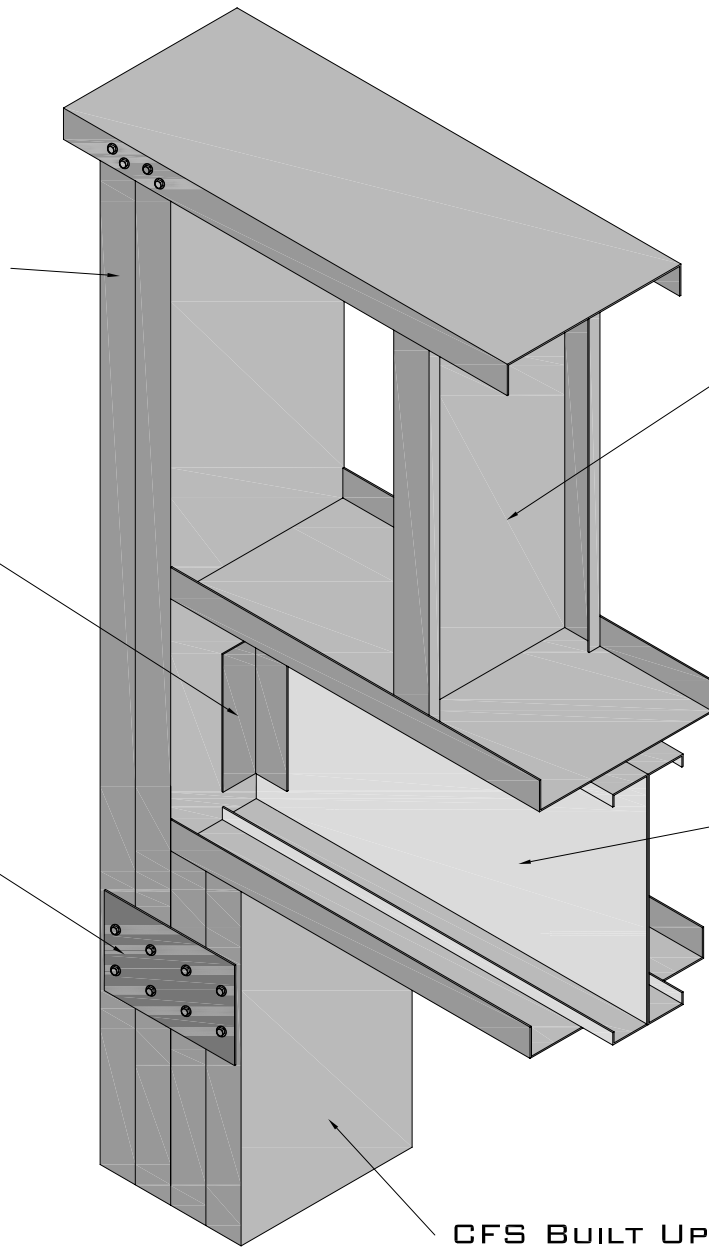


CFS STEEL
KING STUD
ASSEMBLY -
QTY, SIZE AND
GAUGE AS PER
ENGINEERING

CFS CLIP
CONNECTION

CFS FLAT STRAP
FASTENED (FRONT
AND BACK) ACROSS
ALL STUDS IN
BUILT UP COLUMN
@ 48" O.C. MAX.
VERTICAL SPACING.
FASTEN WITH MIN.
(2) #10 SCREWS
TO EACH STUD



TYPICAL CFS STEEL
STUD FRAMING
OVER OPENING.

TYPICAL CFS
STEEL STUD
BUILT UP
HEADER

CFS BUILT UP STUD
JAMB ASSEMBLY -
QTY, SIZE, AND
GAUGE
PER ENGINEERING
TO SUPPORT CFS
HEADER

**COLD-FORMED
STEEL STUD
JAMB ASSEMBLY**

P: 1-877-251-6875
F: 1-866-873-0360
INFO@TRUSSES.CA



**CFS STUD
FRAMING
JAMB
ASSEMBLY**