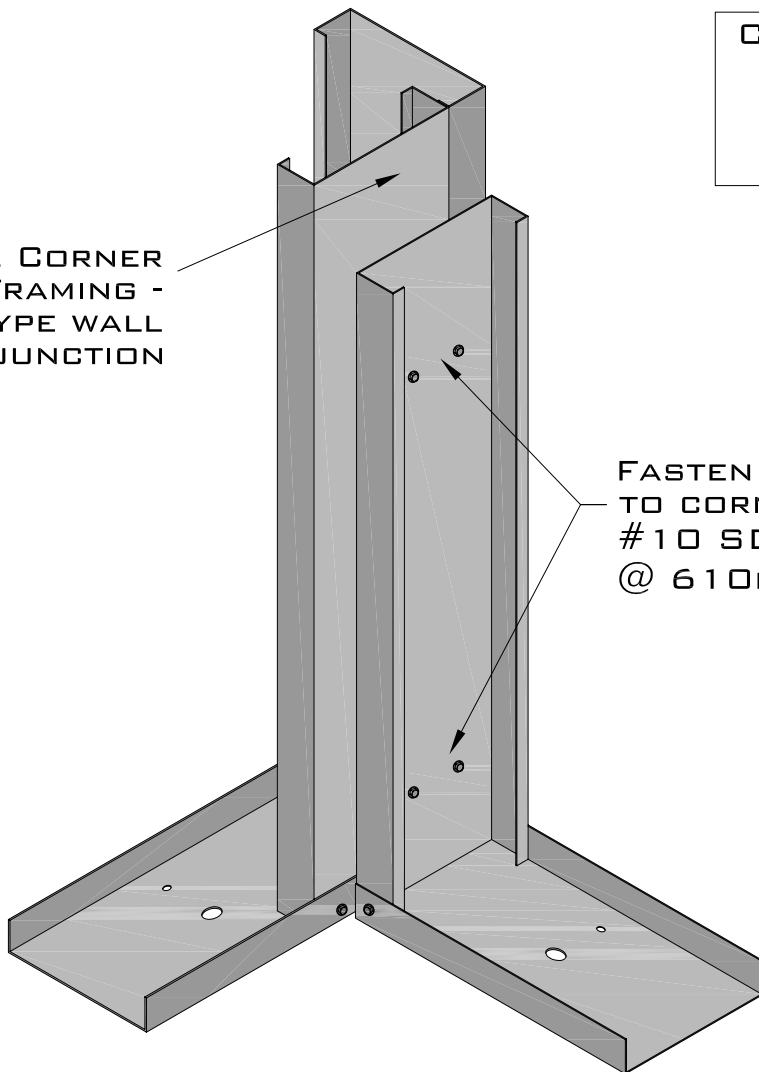


WHERE ACCESS TO CORNER IS LIMITED : CONNECT WALLS WITH BRIDGE CLIP VERTICALLY SPACED AND FASTENED WITH #10 SD/ST SCREWS

COLD-FORMED STEEL STUD FRAMING -
PANEL TO PANEL CONNECTION AT CORNER

TYPICAL CORNER STUD FRAMING -
L-TYPE WALL JUNCTION



FASTEN END STUD OF WALL TO CORNER JUNCTION WITH #10 SD/ST SCREWS @ 610MM (24") O/C

P: 1-877-251-6875
F: 1-866-873-0360
INFO@TRUSSES.CA



CFS STUD
FRAMING
PANEL TO PANEL
CONNECTION AT
CORNER